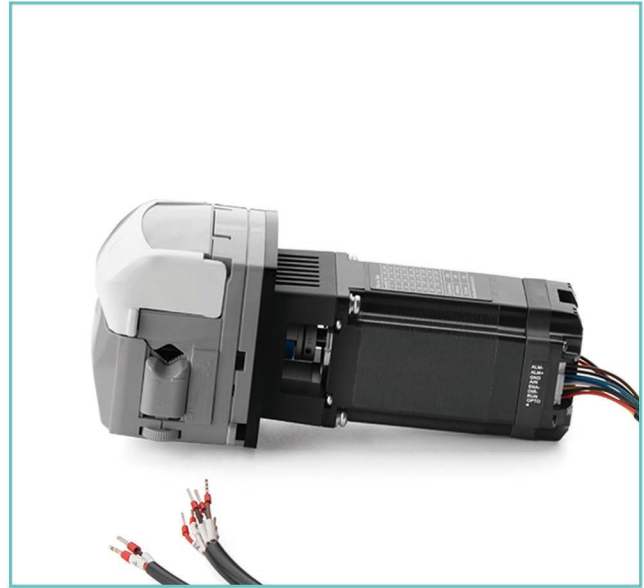


Model No.:OEM-KDB204-206



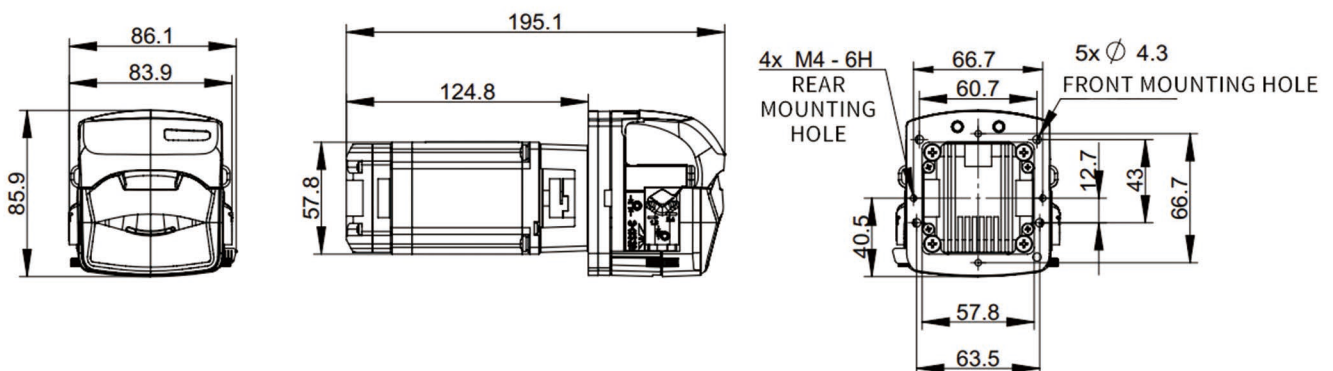
Flow Data

Pump Head	Tubing	IDxWallthickness(mm)	Speed(rpm)	Flow Rate(mL/min) (3 rollers)	Flow Rate(mL/min) (4 rollers)	Tubing pressure resistance(Mpa)		Weight(kg)		
						Continuous	Intermittent			
KD15	13#	0.8x1.6	0.1-600	0.0083-50.3	0.0079-47.37	0.27	0.17	0.37		
	14#	1.6x1.6		0.0281-168.4	0.0267-160.37					
	19#	2.4x1.6		0.0613-367.97	0.0544-326.13					
	16#	3.2x1.6		0.1006-603.5	0.0942-565.47	0.24	0.14			
	25#	4.8x1.6		0.2243-1345.83	0.2103-1262					
	17#	6.4x1.6		0.3297-1978.1	0.2915-1748.93				0.14	0.10
	18#	7.9x1.6		0.5047-3027.97	0.4483-2690				0.10	0.07
KD25	15#	4.8x2.4	0.2513-1507.6	0.1979-1187.55	0.27	0.17				
	24#	6.4x2.4	0.3912-2346.95	0.2909-1745.5						

Motor Specification

Speed range	0.1-600rpm
Flow rate	0.00079-3027.97mL/min
Control method	Start/stop and direction reversal controlled by passive signal or active signal (3.3V-5V)
Control method signal logic	Optocoupler conduction operation/cut-off operation (can be modified by host computer software)
Operation mode	Fixed Speed / External Analog Input Mode (selectable via DIP switches)
Motor type	Integrated closed-loop stepper motor
Output signal	Open collector output
Speed control	OEM-KDB204 External analog speed control via 4-20 mA signal
	OEM-KDB205 External analog speed control via 0-5V signal
	OEM-KDB206 External analog speed control via 0-10V signal
Power supply	DC24V-DC36V (Recommend DC36V), $\geq 100W$
Working ambient	0-40°C, <80%RH

Dimension Drawing (Unit:mm)



Tubing Installation Procedure



1. Lift the flip top of the pumphead to open the pump head.



2. Rubbing wheel adjustment



3. Put the tubing into the pump head.



4. Close the flip top of the pump head downward to complete the installation.