

Programmable Dispensing System



Product Features

7 inch touch screen control, easy and convenient operation.

One controller can control maximum 8 pump units.

Each unit working with same or different parameters.

Pump units can be separately or integrated.

Different pump units can fit for same or different pump heads.

Pump can be controlled with touch screen, foot switch, switch signal and communication.

Two working modes: continuous transferring and dispensing.

Each unit working independently, can fill same or different volume.

Support intelligent calibration and online adjusting function ensure the flow rate and dispensing accuracy.

Support RS232/RS485 communication; support external control start/stop; support missing bottle stop filling function.

The pump can be integrated or split type.

Pump Head



EasyPump Series



AMC Series



HandyPump Series



KT15



UD15



MiniPump



MicroPump



DZ25-3L



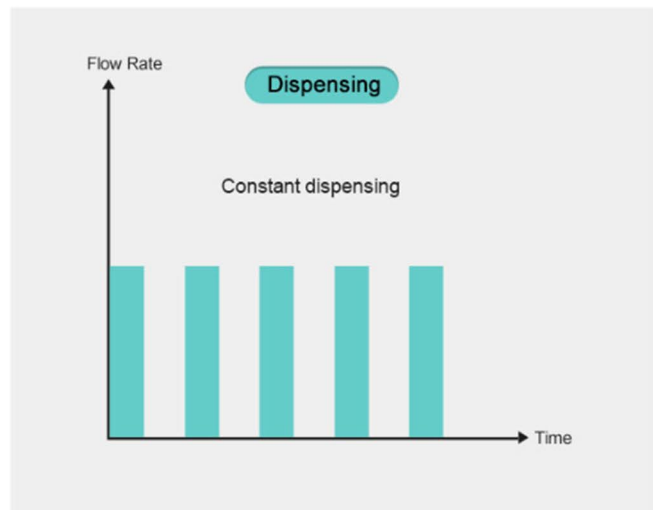
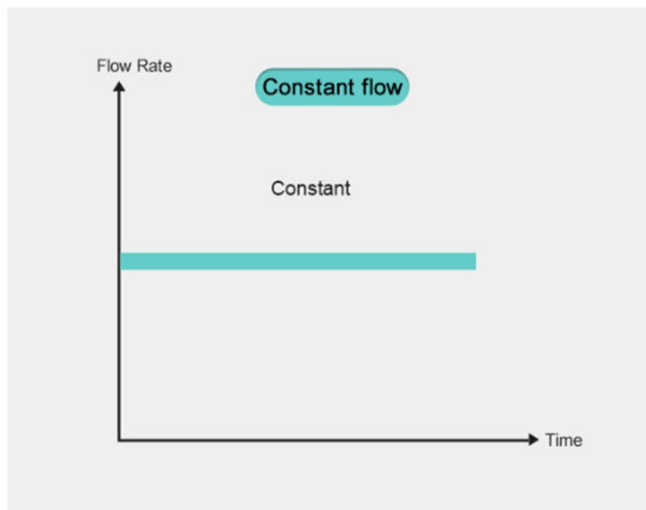
DZ25-6L



YZ35 Series

Function & Features

1. Two working modes: continuous transferring and dispensing.



Setting interface

Parameter setting

Unit1

Pump head: EasyPump I ▼ Tubing size: 13# ▼ Back suction angle: 0.00 [↻]

Transferring

Interval: 0.00 sec Flow rate: 7.00 mL/min Speed: 100.00 rpm

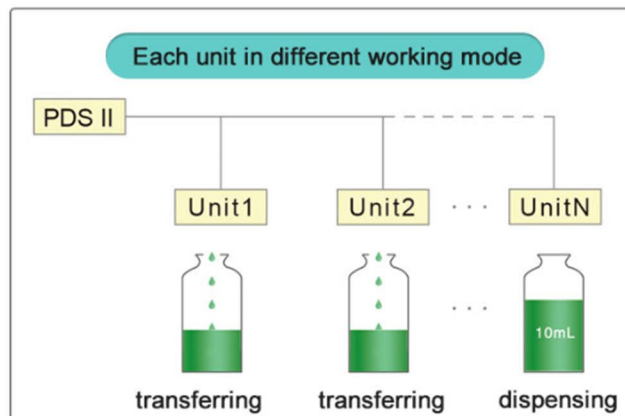
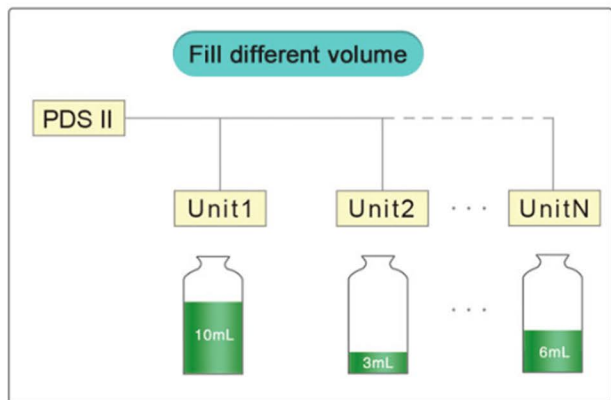
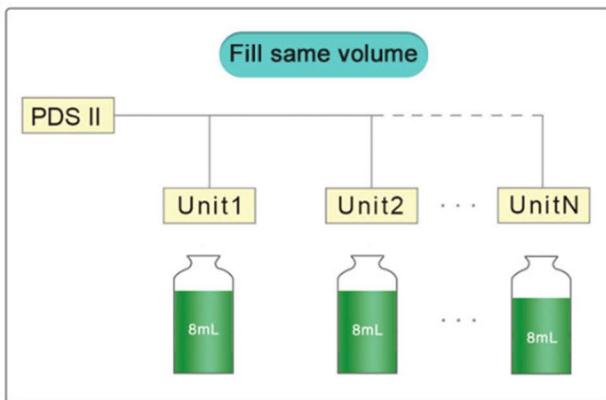
Dispensing

Interval: 0.00 sec Groups: 1 Repeats: 1

Volume(mL): 0.10 Run time(s): 0.50 Stop time(s): 0.50

[CAL] [OK]

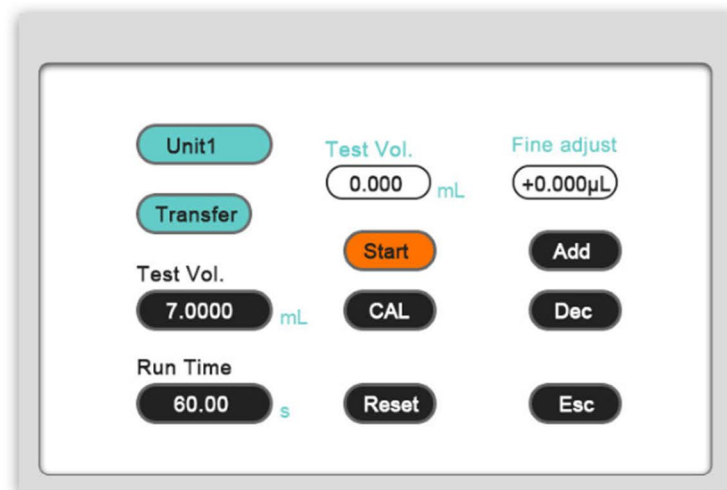
2. Each unit working independently, can fill same or different volume.



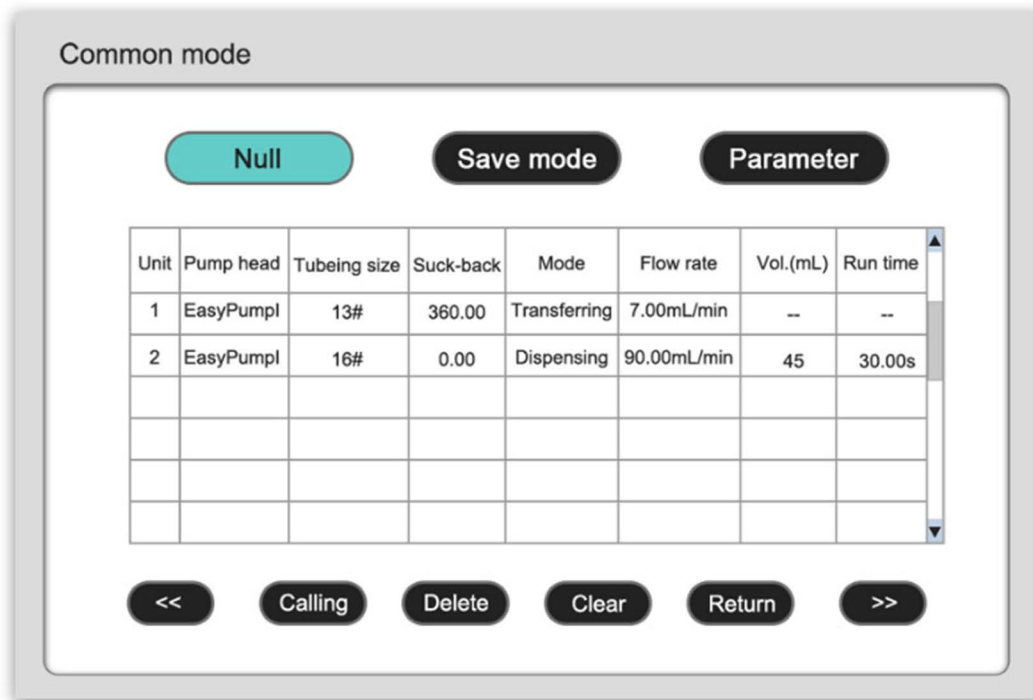
3. One controller can control different pump head (Max. 8 Pump Units).



4. Support intelligent calibration and online adjusting function, ensure the flow rate and dispensing accuracy.

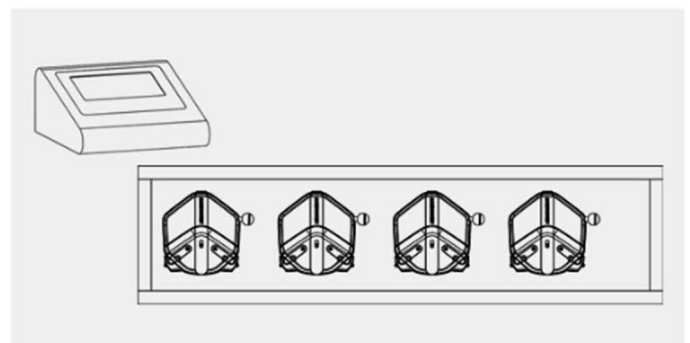
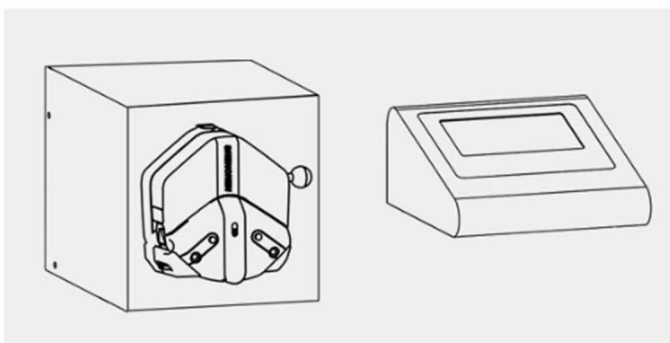


5. Store function: Can store 5 groups parameters, and easy to recall it.



6. Support RS232/RS485 communication; support external control start/stop; support missing bottle stop filling function.

7. The pump units can be integrated or split type.



Technical Specifications

Volume resolution	0.01mL
Time resolution	0.01s
Back suction angle	0~360°
Store	5 parameter programs can be stored and easily recalled
External control method	Passive switch signal: Foot pedal, Active switch signal: Universal 5~24V
Communication method	RS232/RS485, supports Modbus protocol(RTU mode)
Pump unit power supply	AC 220V±10% 50Hz/60Hz(Standard), AC 110V±10% 50Hz/60Hz(Optional)
Controller power supply	5VDC/2A adapter(Standard)
Temperature	0~40°C
Relative humidity	< 80%
IP rate	IP31

OSD

