

Model No. : OEM-KDB201



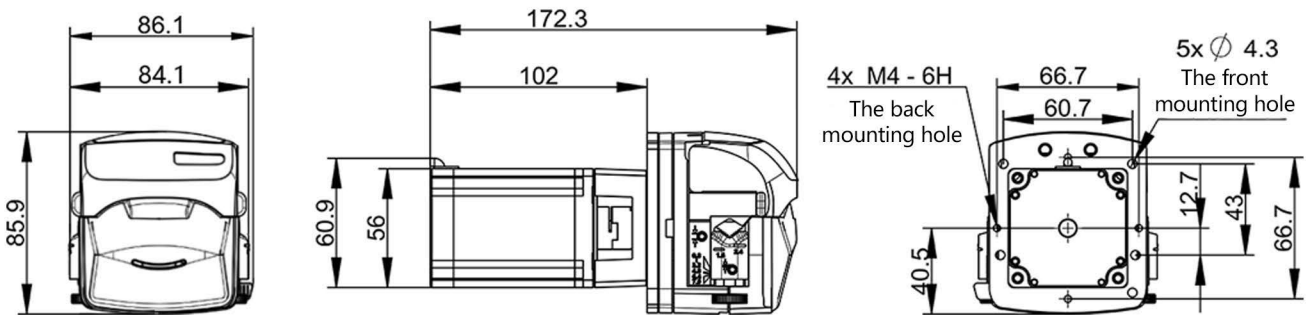
Flow Data

Pump Head	Tubing	ID×Wall thickness(mm)	Speed (rpm)	Flow Rate(mL/min) (3 rollers)	Flow Rate(mL/min) (4 rollers)	Tubing pressure resistance(Mpa)		Weight (kg)
						Continuous	Intermittent	
KD15	13"	0.8x1.6	0.1-600	0.0083-50.3	0.0079-47.37	0.27	0.17	0.37
	14"	1.6x1.6		0.0281-168.4	0.0267-160.37			
	19"	2.4x1.6		0.0613-367.97	0.0544-326.13			
	16"	3.2x1.6		0.1006-603.5	0.0942-565.47	0.24	0.14	
	25"	4.8x1.6		0.2243-1345.83	0.2103-1262			
	17"	6.4x1.6		0.3297-1978.1	0.2915-1748.93			
	18"	7.9x1.6		0.5047-3027.97	0.4483-2690			
KD25	15"	4.8x2.4	0.2513-1507.6	0.1979-1187.55	0.27	0.17		
	24"	6.4x2.4	0.3912-2346.95	0.2909-1745.5				

Motor Specification

Speed range	0.1-600rpm
Flow rate range	0.0079~3027.97mL/min
Motor type	57 stepper motor
Motor phase number	2
Motor step angle	1.8°
Motor phase current	3.0A
Working environment	0-40°C, <80%RH no condensation

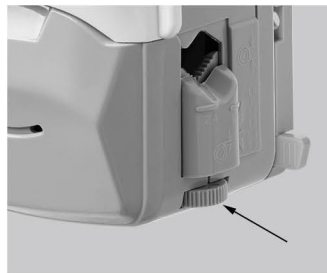
Dimension Drawing (Unit:mm)



Tubing Installation Procedure



1. Lift the flip top of the pump head to open the pump head.



2. Rubbing wheel adjustment



3. Put the tubing into the pump head.



4. Close the flip top of the pump head downward to complete the installation.