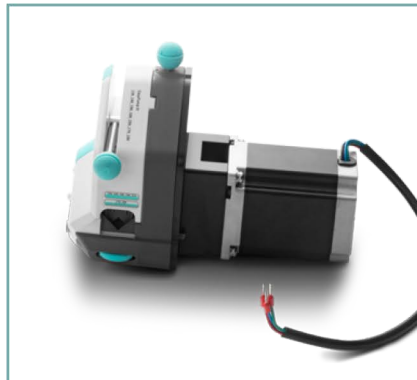


Model No. : OEM-EYB201/EasyPump



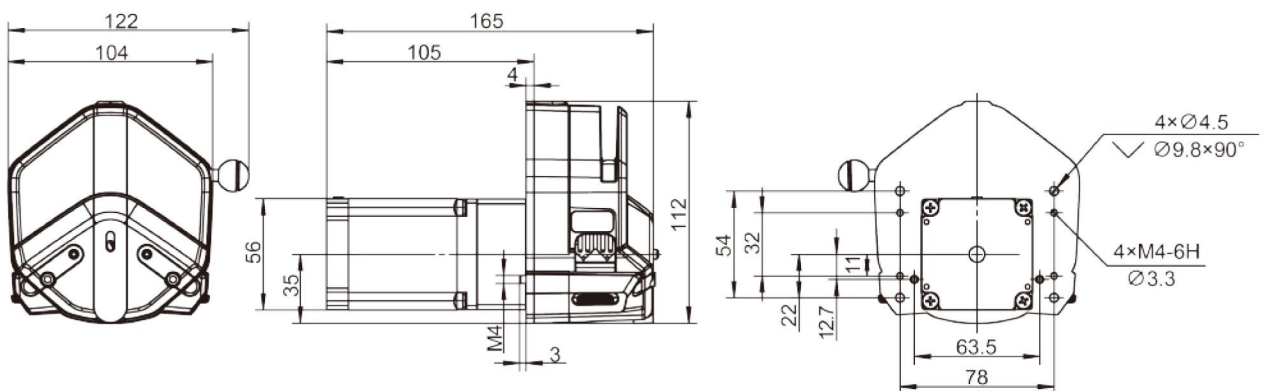
Flow Data

| Pump Head | Tubing | ID×Wall thickness(mm) | mL / r | Flow Rate(mL/min) (0.1-600rpm) | Tubing Max.Pressure(Mpa) | | Weight(kg) |
|----------------------------------|--------|-----------------------|--------|-----------------------------------|--------------------------|------------|------------|
| | | | | | Intermittent | Continuous | |
| Single Channel EasyPump I/III | 13# | 0.8×1.6 | 0.053 | 0.0053~32 | 0.27 | 0.17 | 0.6 |
| | 14# | 1.6×1.6 | 0.27 | 0.027~162 | | | |
| | 19# | 2.4×1.6 | 0.55 | 0.055~330 | | | |
| | 16# | 3.1×1.6 | 0.933 | 0.093~560 | 0.24 | 0.14 | |
| | 25# | 4.8×1.6 | 1.967 | 0.197~1180 | 0.14 | 0.10 | |
| | 17# | 6.4×1.6 | 3.333 | 0.333~2000 | 0.10 | 0.07 | |
| | 18# | 7.9×1.6 | 4.3 | 0.430~2580 | | | |
| Single Channel EasyPumpII/ IV | 15# | 4.8×2.4 | 1.8 | 0.180~1080 | 0.27 | 0.17 | |
| Dual Channel EasyPump V/VI | 13# | 0.8×1.6 | 0.053 | 0.0053~32 | 0.27 | 0.17 | |
| | 14# | 1.6×1.6 | 0.27 | 0.027~162 | | | |
| | 19# | 2.4×1.6 | 0.55 | 0.055~330 | | | |
| | 16# | 3.1×1.6 | 0.933 | 0.093~560 | | | |

Motor Specification

| | |
|---------------------|---------------------|
| Model No. | OEM-EYB201 |
| Speed range | 0.1-600rpm |
| Flow rate range | 0.0053-2580mL/min |
| Motor type | 57-76 stepper motor |
| Motor phase number | 2 |
| Motor step angle | 1.8° |
| Motor phase current | 3.0A |
| Working environment | 0-40°C, 80%RH |

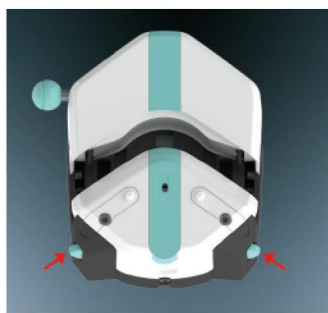
Dimension Drawing (Unit:mm)



Tubing Installation Procedure



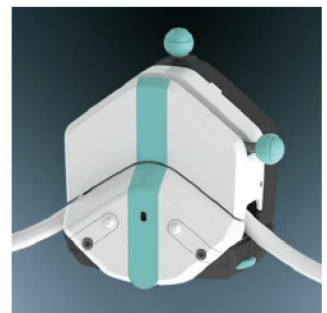
1. Turn the knob anticlockwise 180°, open the upper block.



2. Turn the rubbing wheel to adjust the lower tube clamp position, according to the tubing size.



3. Put the tube between rollers and upper block, tighten up the tubing lightly.



4. Turn the knob clockwise 180°, put the upper block back to original position, fasten the tube.